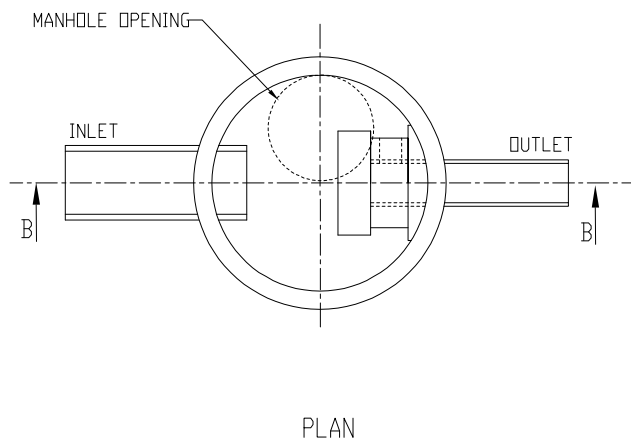
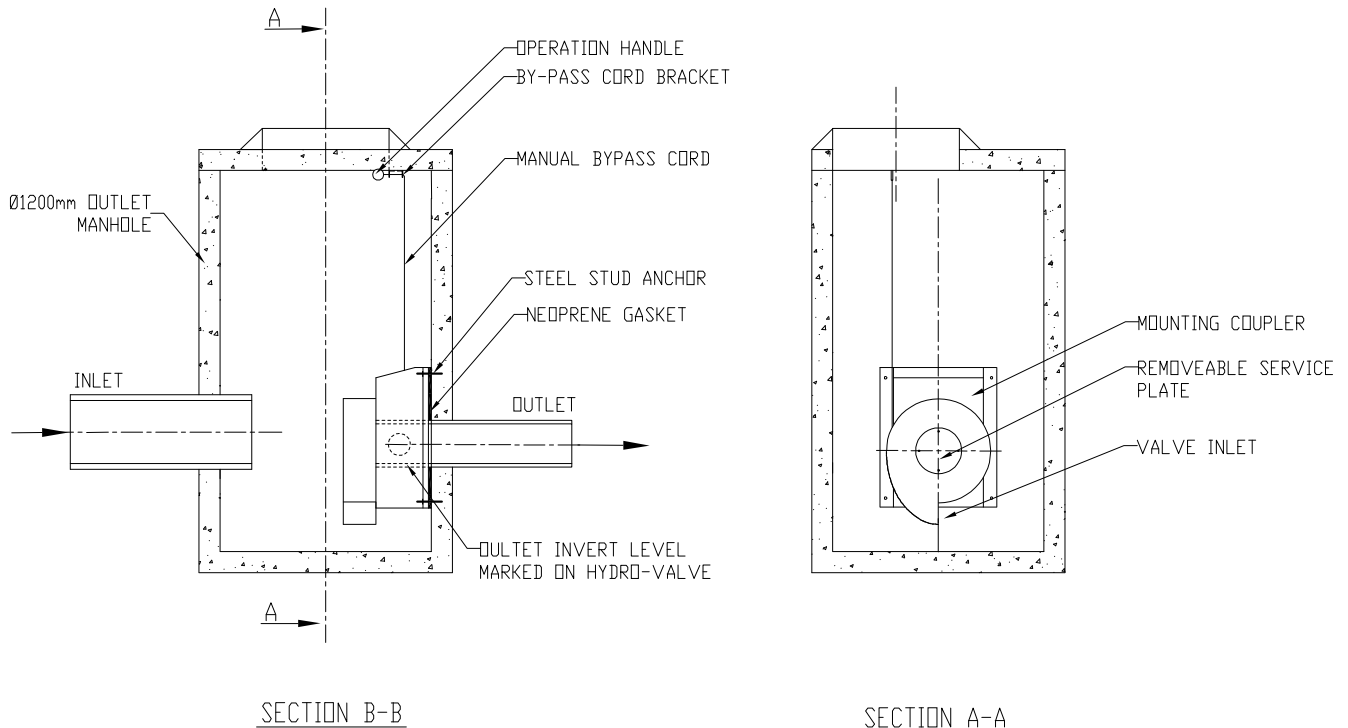


HYDRO-VALVE

Ø1.2m Manhole Installation Instructions for Large Mounting Box



INSTALLATION NOTES

1. Cut out a hole in the Ø1200mm manhole for outlet pipe ensuring it is larger than O.D. of outlet pipe.
2. Mount the Hydro-Valve on inside of Ø1200 manhole so outlet invert is the same level as invert mark on the Hydro-Valve. (moulded in on opposite side to by-pass plate)
3. Mark manhole through 6 holes on Hydro-Valve and drill using 12mm drill bit supplied.
4. Fix Hydro-Valve to Manhole with 6 steel stud anchors supplied.
5. Push the outlet pipe through the manhole until it seats against the Hydro-Valve.
 - A 225 Corrugated Pipe will fit into the reciever with a seal
 - All other pipe sizes will seat against front of Hydro-Valve.
6. Point between the manhole and the outlet pipe.
7. Fix the first by-pass cord bracket to the inside wall of the precast biscuit vertically above the by-pass plate.
8. Fix the second bracket to the inside wall of the precast biscuit in a position that leaves easy access to the by-pass cord handle.
9. Adjust the length of the by-pass cord using the u-clamp on the by-pass plate to leave easy access to the handle
10. Ensure the cord operates freely.

Watertight Seal

- The neoprene gasket seals the Hydro-Valve to the wall of the Manhole preventing any water from entering the outlet pipe without going through the valve.
- The concrete casing prevents any water that leaves the valve from entering the ground around the outlet pipe.